

## **WARNING !**

Please read and understand this owner's manual before taking your new Blaser rifle out of the box. It is vital to your safety and to the safety of others that you accurately follow the information contained in this manual, as well as the information supplied by the ammunition manufacturer. If you have any questions, please call or write:

**SIGARMS® Inc.**  
Corporate Park  
Exeter, NH 03833  
(603)772-2302

# **R 93 LRS 2**

## **Long Range Sporter**

*Instruction manual*



Rifle is shown with optional accessories

# **Blaser**

# Firearms safety is your responsibility

## **WARNING !**

**Please read and understand this instruction manual entirely, before using the rifle. Keep this manual with your firearm. Upon change of ownership, transfer this manual with the firearm.**

**As a supporting measure to this instruction manual, please ask your dealer to explain your rifle to you in detail and let him instruct you about its use.**

Rifles are classified as Firearms and are sold by SIGARMS® with the specific understanding that SIGARMS® is not responsible in any manner whatsoever for their improper handling, use, or resale under local laws and regulations. SIGARMS® shall not be responsible in any manner whatsoever for malfunctioning of the firearm, for physical injury or for property damage resulting in whole or part from

- (1) criminal or negligent discharge,
- (2) improper careless handling,
- (3) unauthorized modification,
- (4) defective, improper, hand-loaded, or re-loaded ammunition,
- (5) corrosion,
- (6) neglect, or
- (7) other influences beyond our direct and immediate control.

This limitation applies regardless of whether liability is asserted on the basis of contract, negligence or strict liability (including failure to warn). Under no circumstances shall SIGARMS® be liable for incidental or consequential damages, such as loss of use of property, commercial loss and loss of earnings and profits.

Carelessness and ignorance cannot be tolerated when handling a firearm. Treat every firearm with respect and follow the safety rules outlined in this manual.

Teach other members of your family, especially children, safe gun handling. Ignorance and carelessness are the major causes of gun related accidents. Whenever possible attend a »Hunter Safety« course and »Firearms Safety« course in your area. This is an investment in your future. Encourage others to enroll with you.

# Contents

	Page
1. Safety rules	4 - 5
2. Main rifle components	6
3. Technical specifications	7
4. Assembling, taking down	8 - 9
5. Safety and bolt handle lock	10 - 11
6. Ammunition	12
7. Magazine	13
8. Loading the rifle	14
9. Firing and repeating	15
10. Unloading the rifle	16
11. Removing and replacing the bolt assembly	17
12. Caliber group table	18
13. Changing the barrel	19
14. Removing and installing the bolt head	20 - 22
15. Trigger	23
16. Stock	24 - 25
17. Mounting a Scope Mod. LRS 2	26
18. Mounting a Scope Mod. LRS 2-.338 Lapua Mag.	27
19. Optional accessories	28
20. Care and maintenance	29
21. Repair and Servicing	30
22. Warranty conditions	31

# 1. Safety rules

Your new Blaser bolt action rifle model R 93 LRS 2 and R 93 LRS 2-.338 Lapua Mag. differs from other repeaters through a number of special design features. Although your Blaser firearm exhibits additional safety features, do not forget that you must take care when handling firearms and also observe the statutory regulations.

First of all, check you have the right user manual: the model name R 93 LRS 2 and R 93 LRS 2-.338 Lapua Mag. is located on the left side of the receiver and the caliber can be found on the left side of the barrel at the rear.

## Safety rules for handling firearms

- ⦿ Make sure the firearm and ammunition never get into unauthorized hands.
- ⦿ Always store firearm and ammunition under lock and key in separate cabinets that are not accessible to unauthorized persons.
- ⦿ Observe current statutory regulations for the carrying and safekeeping of firearms and ammunition.
- ⦿ Never let a loaded firearm out of your hands.
- ⦿ Never use your firearm when under influence of alcohol or drugs, during illness or other complaints; they can influence your judgement and reflexes.
- ⦿ Always unload your firearm immediately after firing, before putting it down, or handing it to another authorized person.
- ⦿ Never rely on safety mechanisms. They can never be a substitute for careful and correct handling of the firearm:
- ⦿ Make sure you are thoroughly familiar with how to handle your firearm and, with the firearm unloaded, practice all of the functions and the actions you will need to make, before you carry it.
- ⦿ Always treat any firearm as loaded and ready to shoot. If you are not certain of its status, check by opening the bolt and looking in the magazine and cartridge chamber (barrel). You should handle an unloaded firearm in the same way as a loaded one.
- ⦿ Whenever holding the firearm, always point the muzzle in a safe direction to ensure you neither injure people nor damage property.

# 1. Safety rules

- ⦿ Before loading, check the barrel for obstructions and make sure no foreign matter (water, snow, soil) can get into the barrel after loading, too.
- ⦿ Only use SAAMI- and /or CIP approved ammunition which is in good condition and check that the ammunition is correct for the caliber of the firearm. Wrongly hand-loaded or reloaded ammunition can damage your firearm and cause serious injury or death.
- ⦿ Do not load your firearm until just before you fire it.
- ⦿ Do not take off safety until you are ready to fire. When taking off the safety on your firearm, point the muzzle in a safe direction.
- ⦿ Before making each shot, check the terrain in front of and behind the target.
- ⦿ Aim your firearm only at targets you have definitely identified.
- ⦿ Keep your finger away from the trigger unless you wish to fire the firearm.
- ⦿ Discharging firearms in poorly ventilated areas, cleaning firearms, or handling ammunition may result in exposure to lead and other substances known to cause birth defects, reproductive harm, and other serious physical injury. Have adequate ventilation at all times. Wash hands thoroughly after exposure.
- ⦿ If a cartridge fails, wait approximately 60 seconds before opening the breech to avoid danger from a cartridge that may be late firing.
- ⦿ Always wear ear protection when shooting.

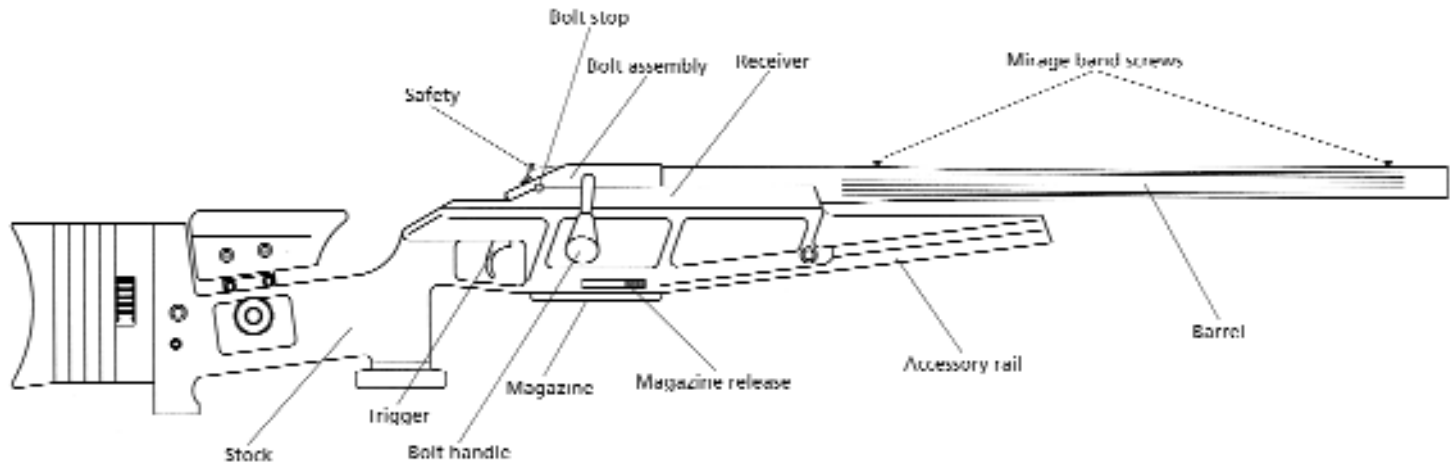
## Unload your firearm

- ⦿ before negotiating obstacles
- ⦿ before climbing into or leaving raised blinds
- ⦿ before entering a building
- ⦿ before climbing into a vehicle
- ⦿ before entering a town or village.

### Special advices regarding the safety of the shooter and to avoid damages are marked as follows:

- WARNING:** Advice concerning a possibly dangerous situation with fatal consequences or danger of heavy injury.
- ATTENTION:** Advice concerning a possibly dangerous situation which can have slight injuries as a consequence.
- NOTE:** Advice regarding threatening material damage.

## 2. Main rifle components



### Standard delivery includes:

- 1 Rifle
- 1 Magazine
- 1 Instruction manual
- 1 4 mm T-Allen key
- 1 3 mm Allen key
- 2 Allen screws M5 x 25

### 3. Technical specifications

Model	R 93 LRS 2					R 93 LRS 2-.338 Lapua Mag.
Caliber	.223 Rem.	6 mm Norma BR	.22-250 Rem.	.308 Win.	.300 Win Mag.	.338 Lapua Mag.
Length overall	45.4"	45.4"	45.4"	45.4"	45.4"	46.7"
Barrel length	25"	25"	25"	25"	25"	26.3"
Rate of twist	1-9"	1-8"	1-12"	1-11"	1-11"	1-10"
No. of grooves	4	4	6	4	6	6
Magazine capacity	5	5	5	5	4	4
Weight (excl. scope)	10.5 lbs					12.8 lbs
Trigger pull weight	2.6 lbs					

- Specifications subject to change without notice !
- All weights and measurements are approximate.
- Some of the listed calibers may not be available.
- R 93 LRS 2-.338 Lapua Mag. is delivered with a Picatinny-Railmount and the barrels are not interchangeable with other calibers.

## 4. Assembling, taking down



fig. 1

### **WARNING:**

- Make sure there are no cartridges in the chamber or magazine.

### 4.1 Assembling

- Remove the 4 mm T-allen key from its pocket in the shipping carton. With the barrel screw studs pointing down, insert the barrel into the receiver (**fig. 1**).



fig. 2

- Then, insert the T-allen key into the holes on the bottom of the fore-end and tighten the two allen screws equally locking the barrel and receiver together (**fig. 2**).

### **NOTE:**

Do not use any extension tools on the allen key to tighten screws. Good hand tightness is sufficient.



fig. 3

- Insert the magazine from the bottom into the receiver until both magazine releases are engaged (**fig. 3**).



## 4. Assembling, taking down

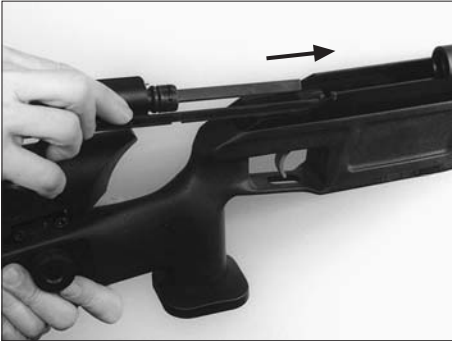


fig. 4

- Place both bolt rails parallel on the rear end of the receiver and insert the bolt by sliding the bolt rails forward (**fig. 4**). Push forward on the bolt handle until the bolt is closed completely.

### NOTE:

Do not use force while inserting and sliding the bolt forward. If you feel any resistance pull the bolt back and repeat the process.

### NOTE:

Always make sure the bolt handle is locked in the back position when installing the bolt assembly, i.e. at an angle of approx. 45°. If the bolt handle is close to vertical, you cannot mount the bolt assembly. Pull the bolt handle back until it engages in the 45° position.

### NOTE:

When assembling the rifle, ensure correct magazine and bolt assembly are fitted to match the caliber of the barrel (see chapter 12+13).

### WARNING:

- ⚠ Make sure there are no cartridges in the chamber or magazine.

### 4.2 Taking down

- Push the safety slide forward slightly with the thumb (approx. 1/16"), simultaneously pulling the bolt handle back (see chapter 5.5). Then pull the bolt all the way straight back.
- Unload the rifle (see chapter 10).
- Push down and hold the bolt stop pin (see chapter 11.1) simultaneously withdrawing the bolt assembly with the other hand.
- With the 4 mm T-alen key supplied, undo the two barrel attachment screws.
- Remove the barrel.

## 5. Safety and bolt handle lock

### 5.1 Safety system

The safety system of the Blaser R 93 LRS 2 and R 93 LRS 2-.338 Lapua Mag. bolt action rifle is centered on the uncocked firing spring: you operate the safety slide to cock the firing spring just before firing the rifle or to release it again. When repeating, it remains cocked. With the safety slide released, the bolt handle is simultaneously locked to prevent accidental opening of the bolt when carrying the rifle, provided this was fully closed.

#### **WARNING:**

- Do not touch the trigger while moving the safety. The firearm will fire when the trigger is pulled while operating the safety. Never place your finger or any object inside the trigger guard until you are ready to fire the rifle.

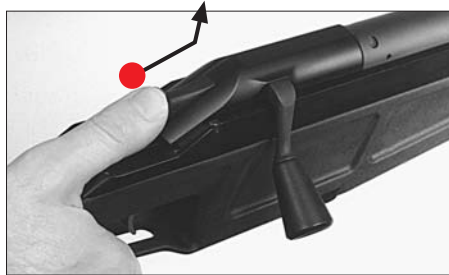


fig. 5

### 5.2 „Off safe“ position

- Place your thumb right into the ribbed finger recess on the safety slide.
- Push the safety slide all the way forward (**fig. 5**) and lift off your thumb to lock safety slide into position. The firing pin spring is cocked.

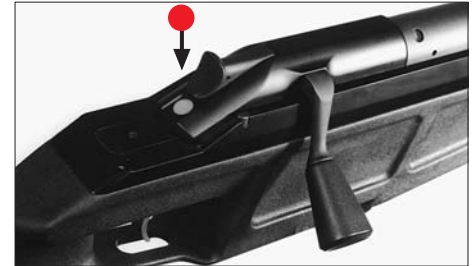


fig. 6

- You should see a red warning dot behind the safety slide to indicate the „Off safe“ position (**fig. 6**).

## 5. Safety and bolt handle lock



fig. 7

### 5.3 „On Safe“ position

- To release the safety to the most rearward position place your thumb on the rear portion of the safety slide, push the safety slide forward and at the same time downwards (**fig. 7**) to disengage it and release to the most rearward position (**fig. 8**) so the red dot marking cannot be seen.



fig. 8

### 5.4 Bolt handle lock

Prevents accidental opening of the bolt. It is automatically activated when the rifle is in the „On Safe“ position and fully locked.



fig. 9

### 5.5 Opening the bolt in the „On Safe“ position

- To open the bolt (for loading and unloading) in the „On Safe“ position, push the safety slide with your thumb 1/16" forward, hold and simultaneously pull bolt handle backwards (**fig. 9**), then open bolt all the way.

## 6. Ammunition

### 6.1 Ammunition

#### **WARNING:**

- ⦿ Use only commercially factory-loaded ammunition in the original packaging, that complies with the performance standards established by the Sporting Arms and Ammunition Manufacturer's Institute Inc. of the United States (SAAMI) and/or CIP and which matches the caliber of your rifle. The correct caliber is stamped on the left side of the rifle barrel at the rear.
- ⦿ Never use reloaded, „refurbished“, hand-loaded, non-standard ammunition, or ammunition of a different caliber.
- ⦿ Never use dirty, wet, corroded, bent, damaged or oiled ammunition.
- ⦿ Never leave ammunition unattended.
- ⦿ Handling ammunition may result in exposure to lead and other substances known to cause birth defects, reproductive harm, and other serious physical injury. Have adequate ventilation at all times. Wash hands thoroughly after exposure.

# 7. Magazine

## 7.1 Magazine

The Blaser R 93 LRS 2 bolt action rifle is equipped with a removable single-row magazine. The detachable magazine is held in the rifle by two magazine releases on the right and on the left of the magazine well. See chapter 3 for magazine capacity.

### **WARNING:**

- Ensure correct magazine and ammunition is used to match the caliber of the barrel. The magazine is marked on the left hand side with the caliber for which it is designed to be used.

## 7.2 Filling the magazine

- Load the magazine by pressing the rear of the cartridge beneath the magazine lips and pushing rearwards. Take care, that the cartridge base is located at the rear of the magazine (**fig. 10**).



fig. 10

## 8. Loading the rifle

### WARNING:

- ⊗ Always keep muzzle of the rifle pointed in a safe direction.
- ⊗ Before loading, always wipe the chamber clean of grease and oil, then verify that there is no obstruction in the barrel or the trigger guard.
- ⊗ If you are having trouble closing the bolt, stop immediately. Do not force a round into the chamber, check to make sure that the ammunition is the correct caliber, that it is not defective, or that an obstruction does not exist in the bore or chamber. If the problem still exists, return your rifle, unloaded, to SIGARMS®.
- ⊗ Never try to remove an object from the barrel by loading another cartridge and firing. This can generate excessive pressure, damage the firearm and cause serious personal injury.
- ⊗ Do not place your finger on trigger, keep it outside of the trigger guard.
- ⊗ Never load or unload the rifle inside a vehicle, inside a building or other confined space (except in a designated firing range).
- ⊗ Do not load the rifle by inserting the magazine until immediately before shooting.
- ⊗ Never rely on safety mechanisms. They are never a substitute for careful and correct handling of your rifle.
- ⊗ Never let a loaded rifle out of your hands.
- ⊗ You must monitor the rifle's performance. If the recoil seems too weak, do not load another round. Completely unload the rifle and check for a barrel obstruction. Examine the cartridge casing for damage such as splits or bulges. If these conditions exist promptly return the rifle to SIGARMS® for service.

### 8.1 Loading the rifle

- Move the slide in the „On safe“ position (see chapter 5.3)
- Open the bolt (see chapter 5.5)
- Insert a loaded magazine from the bottom and make sure it has engaged the magazine release.
- Push the bolt handle forward all the way until it locks.

### Check that:

- The red dot is not visible, bolt handle is all the way forward. The rifle is now loaded, „on safe“ and locked to prevent accidental opening.

## WARNING:

- ⊗ You should never point the muzzle at anything, unless you are planning to shoot, especially when you are loading and unloading the rifle. Muzzle direction could be the difference between life and death.
- ⊗ Do not move the safety to the „off safe“ position until you are ready to fire.
- ⊗ Keep your finger away from the trigger unless you wish to fire the rifle.
- ⊗ When you interrupt or finish firing move the safety slide immediately backwards in the „on safe“ position.
- ⊗ Before making each shot, check the terrain in front of and behind the target.
- ⊗ Ensure that the target and the environment allow shots to be fired without danger.
- ⊗ Always wear ear protection and safety glasses when shooting. Alert bystanders to the importance of wearing ear protection.
- ⊗ If a cartridge fails, wait approximately 60 seconds before opening the breech to avoid danger from a cartridge that may be late firing.
- ⊗ Discharging firearms in poorly ventilated areas, or handling ammunition may result in exposure to lead and other substances known to cause birth defects, reproductive harm, and other serious physical injury. Have adequate ventilation at all times. Wash hands thoroughly after exposure.

# 9. Firing and repeating

## 9.1 Firing and repeating

- Push the safety slide with the thumb all the way forward in the „off safe“ position (see chapter 5.2).
- Sight the target.
- Pull the trigger to fire the rifle.
- Repeating: Pull back the bolt as far as the bolt stop allows and then push it forward again.

### NOTE:

If the bolt handle is not in its most forward position, the rifle will not fire for safety reasons.

# 10. Unloading the rifle

## 10.1 Unloading the rifle

- Remove your finger from the trigger and point the rifle in a safe direction.
- Move the safety slide in the „On Safe“ position (see chapter 5.3)
- Press both magazine releases and remove magazine (**fig. 11**).
- To remove cartridge from chamber, push the safety slide 1/16" forward with your thumb, hold and pull bolt handle backwards, then open bolt slowly until the cartridge can be grasped with the fingers before it clears the receiver. Remove the cartridge from the rifle.
- Check that there is no cartridge in the rifle.



fig. 11

### **WARNING:**

- ⚠ Make sure there are no cartridges in the chamber or magazine.



# 11. Removing and replacing the bolt assembly



fig. 12

## **WARNING:**

- ⚠ Before performing any cleaning or maintenance, make sure there are no cartridges in the chamber or magazine.

## 11.1 Removing the bolt assembly

- Unload the rifle (see chapter 10).
- Remove the magazine.
- Pull the bolt assembly all the way back.
- Push down and hold the bolt stop pin (**fig. 12**) and simultaneously withdraw the bolt assembly backwards with the other hand.

## 11.2 Installing the bolt assembly

- Carefully position the ends of the two slide rails onto the rear end of the receiver in line with the bolt guide.
- Slide the bolt assembly forward into the receiver.
- Close the bolt by pushing the bolt handle forward.

## **NOTE:**

Do not use force when doing this! If the bolt assembly does not slide on smoothly, try again taking more care.

## 12. Caliber group table

Caliber group	Barrel and Bolt head are stamped with	Caliber
Mini	MI	.223 Rem.
Standard	ST	.22-250 Rem. 6 mm Norma BR 6,5x55 .308 Win.
Magnum	MA	.300 Win. Mag.

Some of the listed calibers may not be available.

### NOTE:

Model R 93 LRS 2-.338 Lapua Mag. barrels are not interchangeable with other calibers

### WARNING:

- Always ensure you have the correct barrel and bolt head for the cartridge selected. Firing a cartridge with the incorrect barrel and bolt head can cause serious injury or death.

There are 3 caliber groups available (see table chapter 12). When changing the barrel to a different caliber group, you will also have to change the bolt head to suit the caliber group of the barrel you have chosen to use. The table (chapter 12) shows the correct components to be used together. In addition, bolt heads and barrels are stamped with markings which identify the caliber group (**fig. 13**). Take a final check that these markings match after the rifle is assembled.

If you change barrels within the same caliber group you do not have to change the bolt head.

### Caliber group markings:

<b>Mini</b>	Marking <b>MI</b>
<b>Standard</b>	Marking <b>ST</b>
<b>Magnum</b>	Marking <b>MA</b>

### NOTE:

Bolt heads for left-hand bolts are stamped "L" below the caliber group marking.

Make sure you also use the correct magazine to match the caliber of the barrel. The caliber marking can be found on the side of the magazine.

### WARNING:

Always make sure there are no cartridges in the chamber or magazine.

### 13.1 Changing the barrel:

- Unload the rifle (see chapter 10).
- Remove the magazine.
- Remove the bolt assembly (see chapter 11).
- Fully undo both barrel attachment screws with the 4 mm T-allen key, these are captive so cannot be lost.
- Lift the barrel out of the receiver.
- Place the new barrel in the bed of the receiver.
- Tighten both barrel attachment screws hand-tight with the allen key.
- Insert a magazine matching the caliber of the barrel into the magazine housing.

## 13. Changing the barrel

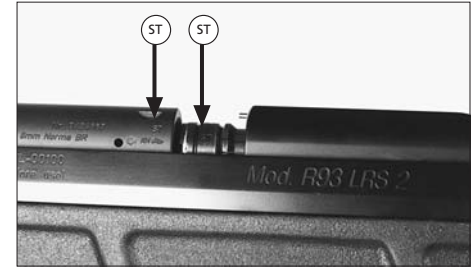


fig. 13

- Check that the marking stamped on the bolt head (MI, ST, MA, **fig. 13**) matches the caliber group of the barrel.
- If you have to change the bolt head in the bolt assembly (see chapter 14).

### NOTE:

Always keep the barrel bedding clean. Excessive oil or grease between the barrel and receiver will impair the accuracy of the rifle.

## 14. Removing and installing the bolt head

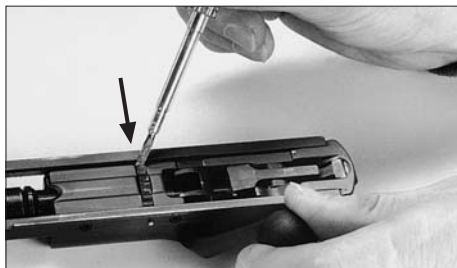


fig. 14

### 14.1 Changing the bolt head

**NOTE:**  
It is advisable to have this operation explained by your Blaser dealer.

- Unload the rifle (see chapter 10).
- Remove the bolt assembly from the rifle (see chapter 11).
- Place bolt assembly upside down on a flat surface.
- With a small screwdriver or similar tool push the retaining latch to the left side and up (**fig. 14**).



fig. 15

- Grasp the retaining latch with thumb and forefinger and push to the left. With your other hand pull the bolt head out of the bolt assembly (**fig. 15**).



fig. 16

### 14.2 Installing the bolt head

- Grip the new bolt head to be installed and line up the two grooves of the expanding shell and bolt head by turning them in relation to each other (**fig. 16**).

## 14. Removing and installing the bolt head

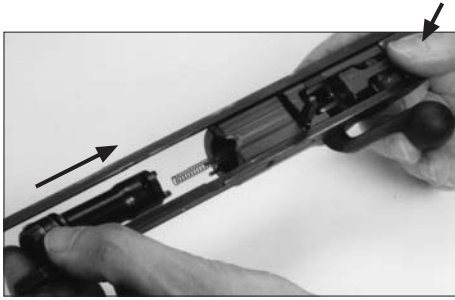


fig. 17

- Lift the retaining latch in the bolt housing.
- Now insert the bolt head with the groove facing exactly upwards into the bolt assembly over the firing pin as far as the stop and hold it there.

### NOTE:

To make this process easier, jiggle the firing mechanism up and down with the thumb of the other hand (**fig. 17**).



fig. 18

- Flip the retaining latch down again and push it back into its recess so that it snaps into position (**fig. 18**).



fig. 19

### NOTE:

If the retaining latch is not in the correct position, a warning pin will project from the outside of the rail (**fig. 19**).

## 14. Removing and installing the bolt head

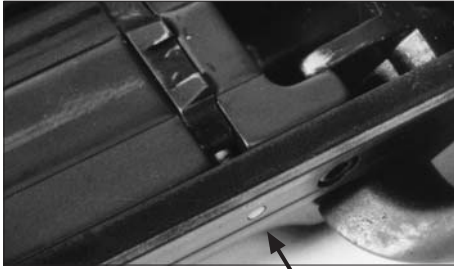


fig.20

### NOTE:

The bolt assembly can only be inserted in the receiver when the warning pin is flush in the bolt rail (**fig. 20**), indicating that the retaining latch is seated correctly.

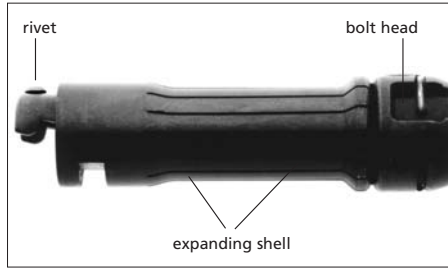


fig.21

### WARNING:

⚠ The bolt head assembly consists of two major parts: The bolt head and the surrounding expanding shell. These two parts are bound together by a rivet (**fig. 21**). It is strictly forbidden to loosen that rivet! Firing the rifle with the expanding shell removed, will inevitably cause the blow-out of the bolt head assembly and injury or death to the shooter or bystanders!

# 15. Trigger

## 15.1 Trigger assembly

The Blaser R 93 LRS 2 bolt action rifle is equipped with an adjustable direct trigger. The trigger pull weight is adjusted at the factory to approx. 2<sup>3</sup>/<sub>4</sub> lbs (1200 g).

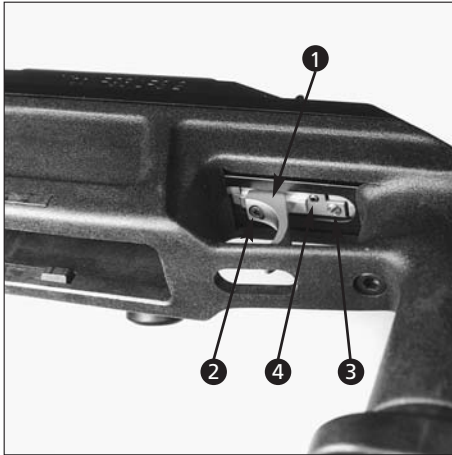


fig. 22

## Adjustment potential:

- Trigger position
- Trigger pull
- Trigger stop

### WARNING:

⚠ Before making any adjustments make sure there are no cartridges in the chamber or magazine.

## 15.2 Trigger position

The trigger blade (**fig. 22-1**) can be moved along the longitudinal axis to adapt to the hand of the shooter.

- Loosen lock screw (**fig. 22-2**).
- Shift trigger blade to the desired position.
- Tighten lock screw (**fig. 22-2**).

## 15.3 Trigger pull

The trigger pull weight can be adjusted with the trigger pull screw (**fig. 22-3**):

- Increase trigger pull weight turn the trigger pull screw (**fig. 22-3**) clockwise
- Decrease trigger pull weight turn the trigger pull screw (**fig. 22-3**) counterclockwise.

## 15.4 Triggerstop

The trigger stop can be adjusted with the trigger stop screw (**fig. 22-4**):

- Turn triggerstop screw (**fig. 22-4**) clockwise until trigger is past the release point.
- Put the safety in the "off safe" position.
- Pull the trigger and turn triggerstop screw (**fig. 22-4**) counterclockwise until the sear releases the firing pin.
- By counting to turn the triggerstop screw (**fig. 22-4**) counterclockwise the desired travel beyond the release point can be adjusted.

## 16. Stock

The following adjustments are possible:

- Buttplate elevation
- Length of pull
- Cheekpiece height and on-/offset
- Handrest

### 16.1 Buttplate

- Loosen baseplate knob and move buttplate to desired elevation and tighten.

### 16.2 Length of pull

- With the 4 mm T-allen key supplied, loosen allen screw and remove buttplate
- Loosen and remove allen screws which hold the spacers to the baseplate. Add or remove spacers to set the desired length of pull.
- Installation in reverse.

#### **NOTE:**

- When installing 1 or 2 buttplate spacers use allen screws M5x25.
- When installing 3 or 4 buttplate spacers use allen screws M5x50.

### 16.3 Cheekpiece:

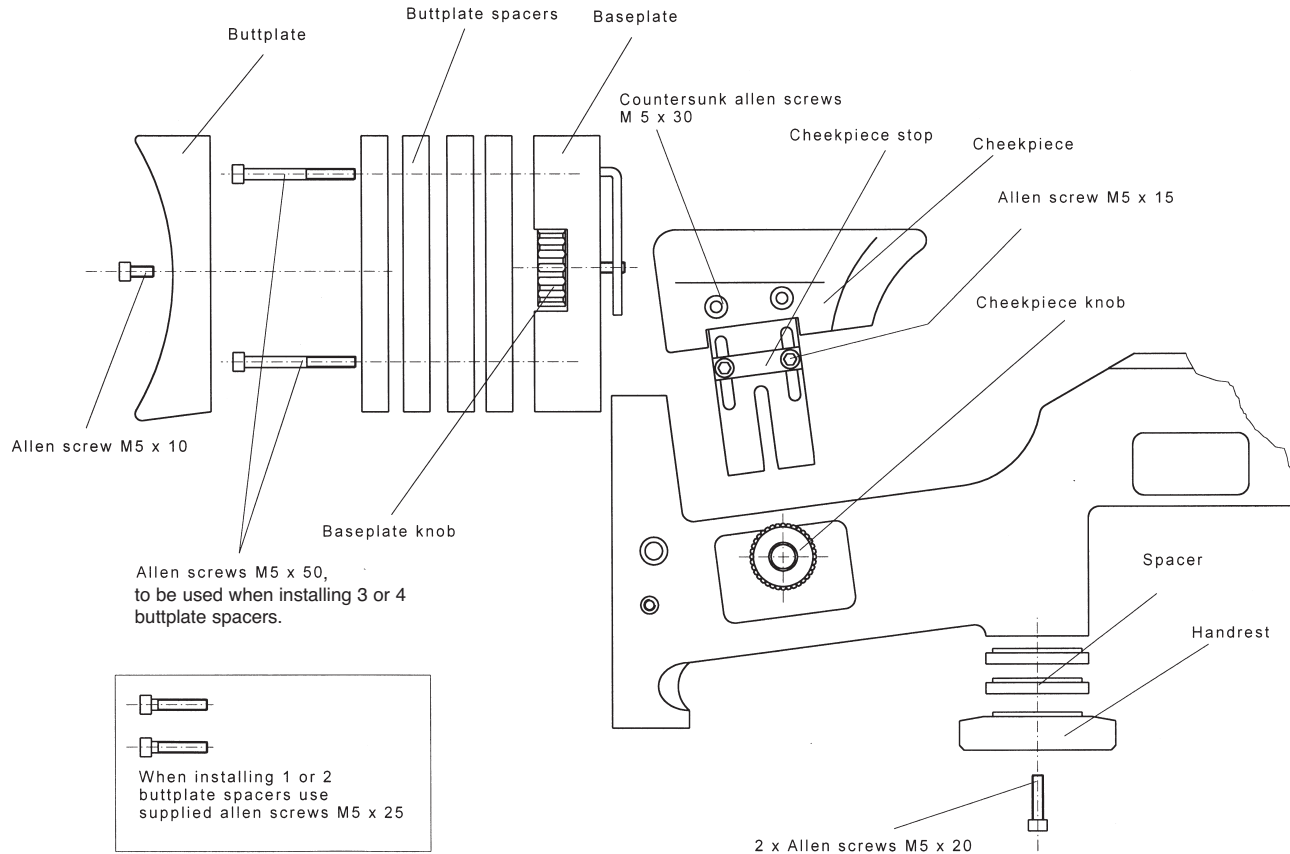
- After loosening cheekpiece knob the cheekpiece can be moved up or down. To remove the cheekpiece from the stock just pull it out of the top.
- To maintain the same elevation of the cheekpiece when removing and installing adjust the cheekpiece stop to the desired position.
- Loosen allen screw M5x30 with 3 mm allen key. To adjust the on-/offset of the cheekpiece add or remove spacers on the inside.

### 16.4 Handrest:

- With the 4 mm T-allen key supplied, loosen the 2 allen screws and remove handrest.
- Add or remove spacers to set the desired height.
- Installation in reverse.



# 16. Stock



## **17. Mounting a Scope Mod. LRS 2** with the original optional Blaser saddle mount

The R 93 LRS 2 barrels are equipped with notches to accept the original optional Blaser saddle mount.

## **18. Mounting a Scope Mod. LRS 2-.338 Lapua Mag.**

The barrels of the Blaser  
R 93 LRS 2-.338 Lapua Mag. are  
equipped with Picatinny-Rail.

## 19. Optional accessories

- » Interchangeable barrels
- » Bolt head
- » Magazine
- » Mirage band
- » Original Blaser fixed-saddle mount with 1" or 30 mm rings or rail or VM/ZM rail
- » Original Blaser QD-saddle mount with 1" or 30 mm rings or rail or VM/ZM rail
- » Special Alu-carrying case
- » Muzzle Brake
- » Rear Rest
- » Bi-Pod
- » T-Wrench

## 20. Care and maintenance

Your Blaser R 93 LRS represents a wise investment in an extremely high quality, finely-crafted firearm. Regular, routine maintenance procedures will help protect and preserve that investment for a lifetime of pleasurable, reliable use.

Make sure you periodically clean and maintain your rifle according to the instructions in this manual for safe and reliable performance. **Firearms maintenance is your responsibility.**

### **WARNING:**

- ⦿ Before performing any cleaning or maintenance make sure there are no cartridges in the chamber or magazine.
- ⦿ Do not store ammunition with oils or cleaning chemicals.
- ⦿ Cleaning firearms, or handling ammunition may result in exposure to lead and other substances known to cause birth defects, reproductive harm, and other serious physical injury. Have adequate ventilation at all times. Wash hands thoroughly after exposure.

After each use, your Blaser R 93 LRS 2 should be cleaned and re-lubricated before being returned to its storage place. Wipe off any visible dirt and grime from all parts with a clean, soft cloth.

### **20.1. Barrel and chamber:**

After each use, run a swab or bronze brush of the correct caliber through the barrel from the breech end to remove any powder residue. If any evidence of powder or copper remains, use a quality grade bore cleaner with a bronze brush. Then remove the loosened fouling with a swab or gun bore patches. Finally, apply a thin film of quality gun oil preservative throughout the entire bore surfaces. Coat the entire outer surface of the barrel with a quality gun oil preservative and wipe off any excess.

**Note:** Do not over lubricate any parts of your firearm.

### **20.2. Bolt and internal metal surfaces:**

Use a small nylon bristle brush and soft clean cloth to thoroughly clean these areas. Lightly lubricate the bolt and internal metal surfaces before reassembling the rifle.

### **20.3. External metal surfaces:**

Lightly lubricate all external metal surfaces before reassembling the rifle. Wipe all external metal surfaces to remove any moisture or finger marks.

### **20.4. Stock:**

The synthetic stock on your Blaser R 93 LRS 2 rifle requires little or no maintenance. Occasional cleaning with a damp cloth will restore your stock to like-new appearance.

### **ATTENTION:**

Make sure you read and adhere to the instructions and warnings given by the manufacturer of the cleaning agent.

## **21. Repair and Servicing**

Although your Blaser R 93 LRS 2 has been precision manufactured and assembled from highest quality materials, there is always the possibility of damage or the need for servicing and/or parts replacement. If you suspect your rifle might be damaged, or if you ever experience any malfunction or notice any looseness in the action of your rifle, stop using immediately. Return it to SIGARMS® for inspection and any necessary repair.

### **Limited 10 year warranty**

Blaser firearms are warranted by the Blaser Jagdwaffen GmbH to be free of defects in material or workmanship under normal use and service for a period of 10 years from date of first purchase by a customer.

Blaser's obligation is limited (at Blaser's choice) to repairing or replacing at any of its authorized warranty service stations any part of a Blaser firearm which Blaser examination discloses to be defective.

The warranty shall not apply to problems, malfunctions or defects resulting from accidents, alterations, misuse or broken stocks. If in the opinion of Blaser gunsmiths or of its authorized warranty service stations any modifications, changes or additions made outside the Blaser factory have affected the operation of the weapon to render it faulty, this warranty shall be void. This warranty shall also be void if any part not of Blaser manufacture has been incorporated into

the rifle or if other than factory loaded ammunition is fired in the Blaser rifle.

Should you have occasion require warranty service, please contact your local dealer or the distributor of your country for directions on returning your rifle to an authorized warranty station.

Blaser expressly disclaims any and all implied warranties arising under the UCC or Common Law, including warranties of fitness for a particular purpose and implied warranties of merchantability.

Blaser shall not be responsible for any incidental or consequential damages for economic loss or injury or property damage as a result of any alleged breach of an express or implied warranty, as a result of negligence, or as a result of any other act or omission of Blaser. Exclusion or limitation of consequential or incidental damages are not allowed in some states so this limitation or exclusion may not apply to you.

## **22. Warranty conditions**

This warranty gives you specific legal rights, and you may also have other rights which vary from state to state.

**Save your receipt as proof of purchase.**

Manufacturer:  
Blaser Jagdwaffen GmbH  
Ziegelstadel 1  
88316 Isny, Germany

**Important:**  
**Do not discard. Keep this manual  
with your firearm. Upon change of  
ownership, transfer this manual with  
the firearm.**

Imported by:

SIGARMS® Inc.  
Corporate Park  
Exeter, NH 03833, USA  
(603)772-2302

[www.sigarms.com](http://www.sigarms.com)

SIGARMS® is a registered trademark of SIGARMS Inc.